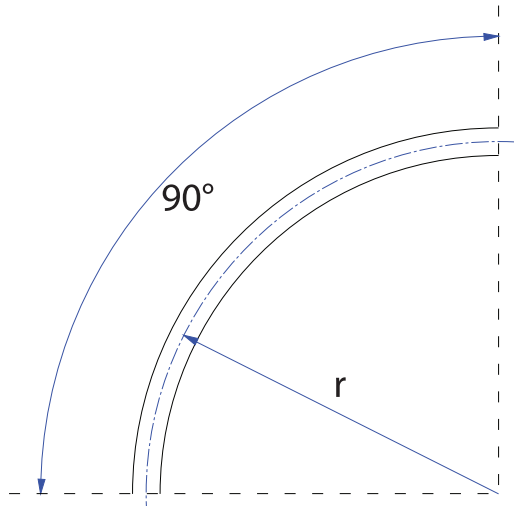


CURVES

C-rail 30x32 mm.

C-rail 30x32 mm

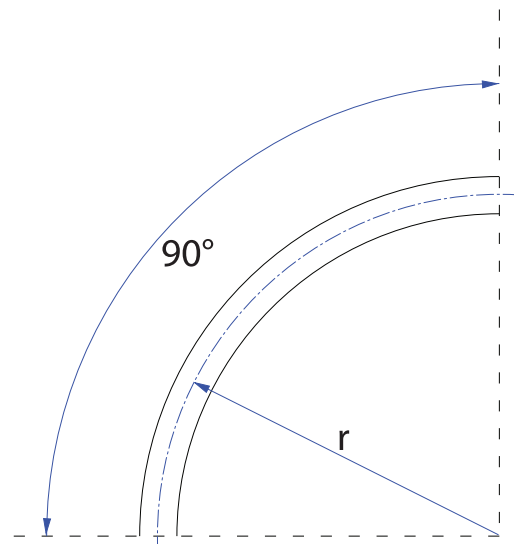


Article No.	Radius, mm	Curvelength, mm	Max. trolley-distance, mm	Max. trolley-Length, mm	Weight, kg
11 910	1000	1570	700	160	2,45
11 912	1200	1885	840	160	2,95
11 914	1400	2200	980	200	3,45
11 916	1600	2510	1120	200	3,90
11 918	1800	2830	1260	280	4,40
11 920	2000	3140	1400	280	4,90
11 922	2200	3455	1540	280	5,40
11 924	2400	3770	1680	320	5,90
11 926	2600	4080	1820	320	6,40
11 928	2800	4400	1960	320	6,90
11 930	3000	4710	2100	320	7,35
11 932	3200	5025	2240	320	7,85
11 934	3400	5340	2380	320	8,35
11 936	3600	5650	2520	320	9,10
11 938	3800	5970	2660	320	9,60
11 940	4000	6280	2800	320	10,10
11 942	4200	6595	2940	320	10,60
11 944	4400	6910	3080	320	11,10
11 946	4600	7220	3220	320	11,60
11 948	4800	7540	3360	320	12,10
11 950	5000	7850	3500	320	12,55

Curves with a radius greater than 3400 mm. are delivered in 2 parts, one extra Track coupler 11810 should be ordered.

Material: Galvanized steel.

C-rail 40x40 mm



Article No.	Radius, mm	Curvelength, mm	Max. trolley-distance, mm	Max. trolley-Length, mm	Weight, kg
11 550	1000	1570	700	100	3,90
11 552	1200	1885	840	125	4,70
11 554	1400	2200	980	160	5,50
11 556	1600	2510	1120	160	6,30
11 558	1800	2830	1260	200	7,10
11 560	2000	3140	1400	200	7,90
11 562	2200	3455	1540	250	8,60
11 564	2400	3770	1680	250	9,40
11 566	2600	4080	1820	280	10,20
11 568	2800	4400	1960	320	11,00
11 570	3000	4710	2100	320	11,80
11 572	3200	5025	2240	360	12,60
11 574	3400	5340	2380	360	13,40
11 576	3600	5650	2520	400	14,00
11 578	3800	5970	2660	400	14,90
11 580	4000	6280	2800	450	15,70
11 582	4200	6595	2940	450	16,50
11 584	4400	6910	3080	450	17,30
11 586	4600	7220	3220	500	18,10
11 588	4800	7540	3360	500	18,90
11 590	5000	7850	3500	500	19,60

Curves with a radius greater than 3400 mm. are delivered in 2 parts, one extra Track coupler 11812 should be ordered.

Material: Galvanized steel.