

# WORK STATION EQUIPMENT

## Jibs and booms

### C-rail C-30 (30x32 mm.)

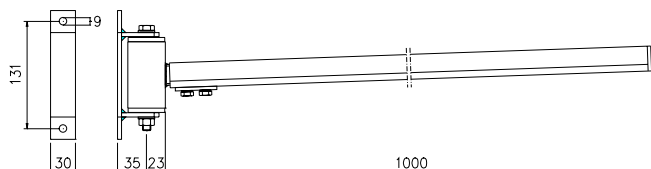


Sheet 11-110 2016

These jibs and booms can be mounted on walls or pillars.  
They are extremely suitable for the suspension of

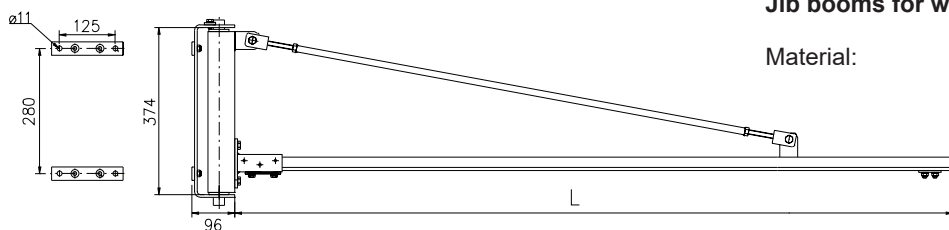
hand tools and help lessen the risk for load related injuries, and also keep the tools suspended out of harms way.

#### Swivel booms for wall mounting



Material: steel  
Surface: Powdercoated paint  
Max.belastning, kg: 15  
Article No.: 11 450

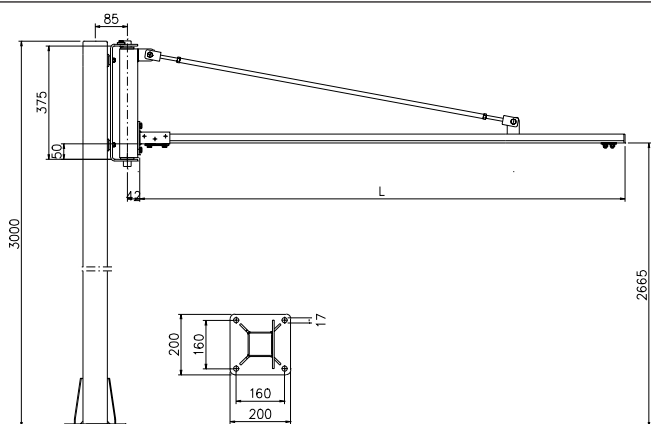
#### Jib booms for wall mounting



Material: Galvanized steel

Article No.	Length (L) mm	Weight kg	Max.load kg
11 185	1600	12	20
11 186	2000	14	16
11 187	2500	15	13
11 188	3200	17	10

#### Pillar mounted Jib booms



Material: Galvanized steel (arm)  
Surface: Primer (pillar)

*Other sizes available on request*

Article No.	Length (L) mm	Weight kg	Max.load kg
11 195	1600	34	20
11 196	2000	36	16
11 197	2500	37	13
11 198	3200	38	10



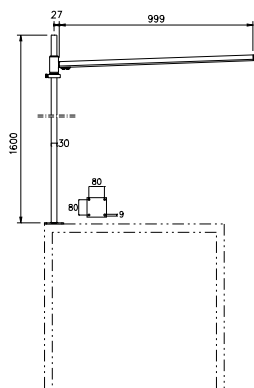
# WORK STATION EQUIPMENT

## Worktop stands and booms



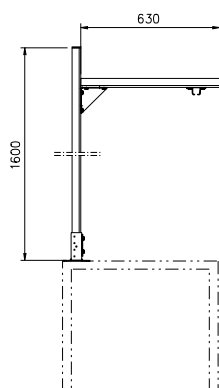
CIBES worktop stands can be fitted to all types of work top. They are suitable for the suspension of tools up to 20 Kg.

They help keep the worktop clear of tools and also help prevent load related injuries.



### Pillar with swivel boom

Material:	steel
Surface:	Powdercoated paint
Weight, kg:	8,5
Max.load, kg:	10
Article No.:	11 455



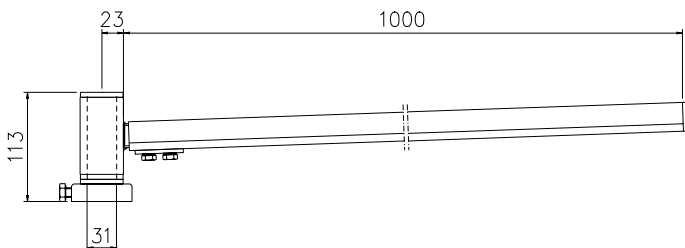
### Work top stand

Material:	Galvanized steel
Weight, kg:	8,5
Max.belastning, kg:	20
Article No.:	11 451 (1 pcs pillar 1 pcs Support bracket 1 pcs boom)

### Suspension rail

Length, mm:	4000
Article No.:	11 900

(the picture shows 2 pcs 11 451 och 1 pcs 11 900).



### Swivel boom

Material:	steel
Surface:	Powdercoated paint
Weight, kg:	4.0
Max.belastning, kg:	10
Article No.:	11 457

