

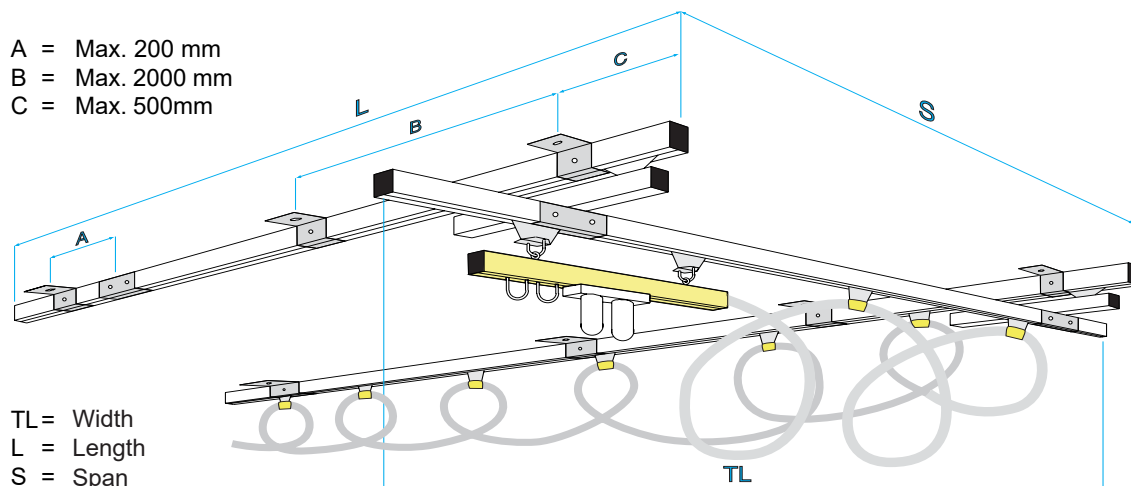
WORK STATION EQUIPMENT

Standard trolleys for underslung



Sheet 11-128 2016

- A = Max. 200 mm
- B = Max. 2000 mm
- C = Max. 500mm

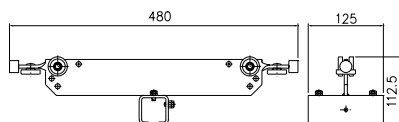


- TL = Width
- L = Length
- S = Span

When the width (TL) of the underslung crane is 2-4 m. the span (S) should be 1,8-3 m.

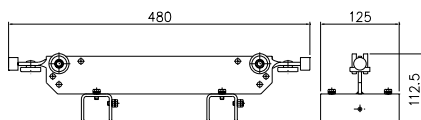
When the width (TL) of the underslung crane is greater than 4 m. the runway track (L) should consist of 3 C-rail tracks and 3 trolleys.

The runway track (L) can be constructed in any length using our standard C-rails and track couplers.



Trolley for underslung crane (one track)

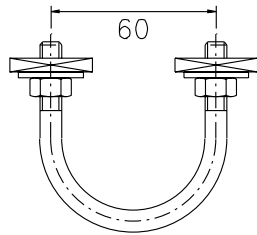
Material: Galvanized steel
 Length, mm: 480
 Weight, kg: 2,5
 Article No.: 11 340



Trolley for underslung crane (two tracks)

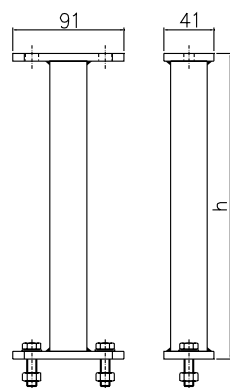
Material: Galvanized steel
 Length, mm: 480
 c/c, mm: 200
 Weight, kg: 3,8
 Article No.: 11 341





Extra U-bolt

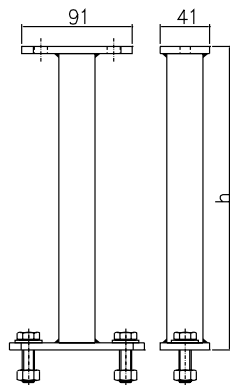
Material: Galvanized steel
 Weight, kg: 0,13
 Article No.: 11 975



Ceiling support arm C-30

Article No.:	Height, mm	Weight, kg
11 710	250	0,8
11 711	500	1,2
11 712	1000	2,0

Other dimensions on request



Ceiling support arm C-40

Article No.:	Height, mm	Weight, kg
11 715	250	0,8
11 716	500	1,2
11 717	1000	2,0

Other dimensions on request