

WORK STATION EQUIPMENT

Jib booms

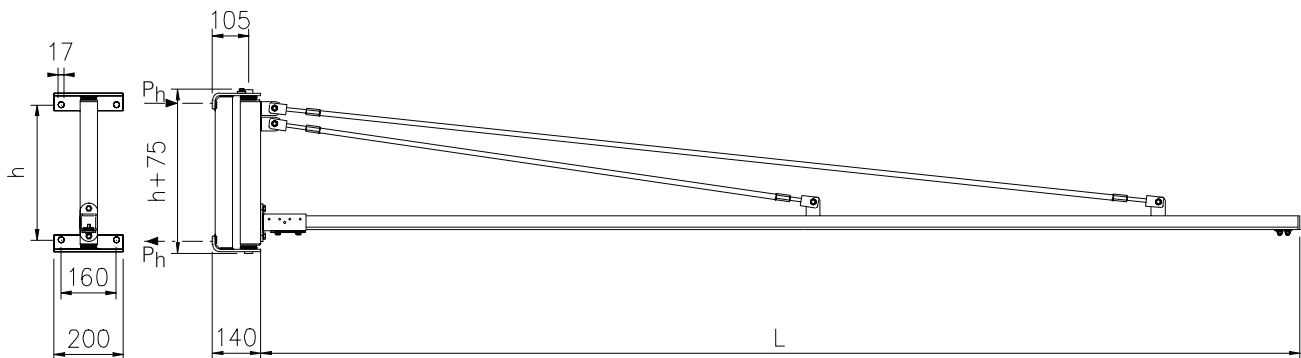
C-rail C40 (40x40 mm.)



Sheet 11-132 2016

These jib booms can be mounted both on walls and pillars.
They are extremely suitable for the suspension of

hand tools and help lessen the risk for load related injuries, and also keep the tools suspended out of harms way.



Jib boom for wall mounting

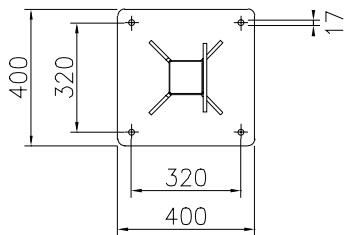
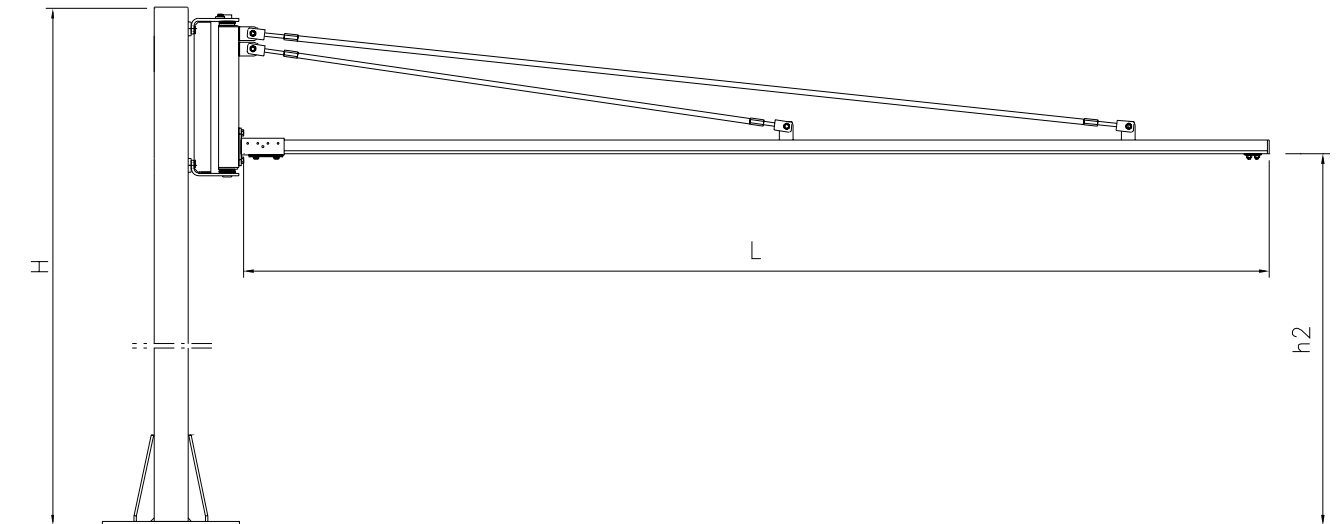
Article No..	Length (L) mm	Max.load kg	h mm	Max.Ph N	Weight kg
11 142	2000	50	400	2600	17
11 143	3000	50	400	3826	26
11 144	4000	40	600	2698	31
11 145	5000	30	600	2551	39
11 146	6000	20	600	2011	44



NOTE! The jib booms are not intended for use with hoists or other lifting devices.



Pillar mounted jib booms



Material: Galvanized steel
Surface: primer (pillar)
Slew: 270°



Pillar mounted jib booms

Article No.	Total height (H) mm	Length jib (L) mm	Height (h2) mm	Weight kg
11 462	3000	2000	2600	90,0
11 463	3000	3000	2600	90,0
11 464	3000	4000	2400	90,0
11 465	3000	5000	2400	90,0
11 466	3000	6000	2400	90,0
11 472	4000	2000	3600	110,0
11 473	4000	3000	3600	110,0
11 474	4000	4000	3400	110,0
11 475	4000	5000	3400	110,0
11 476	4000	6000	3400	110,0